

INDUSTRIAL BATTERY CHARGER

QY Series



OvarTech 750

750W Industrial Battery Charger

Available models

24V/25A	36V/15A	48V/15A
---------	---------	---------

OVAR QY Series is a highly durable and waterproof on- or off-board charger that operates on any singlephase grid worldwide with a 96% peak efficiency. Customized charging profiles is easy to assist customers in achieving battery charging flexibility. Applications include aerial work platforms, sweepers, golf carts, marines, yachts, material handling equipments and other utility vehicles.

Features

Robust industrial design
High surge power output
Power factor corrected AC input
Fast AC transfer switch
AC Input Power Boost
AC Input Current Limit

Variable speed fan for silent operation
Configurable alarm relay
Versatile trigger input
Easy to access connection bay for installing AC-DC
DC connection cable included
2 year warranty
CE certified

Proven, Efficient Design

Fully sealed enclosure, up to IP66;
95% energy efficiency

Optimization

Precisely charge to balance the charge
time and prolong the batteries life

Global Flexibility

Global AC input to be used anywhere
in the world.

Electronic protection

Reverse polarity protection, short circuit
protection and overheat protection with
Auto-reset

Tailored OEMS

Tailored charging profiles and cabling.

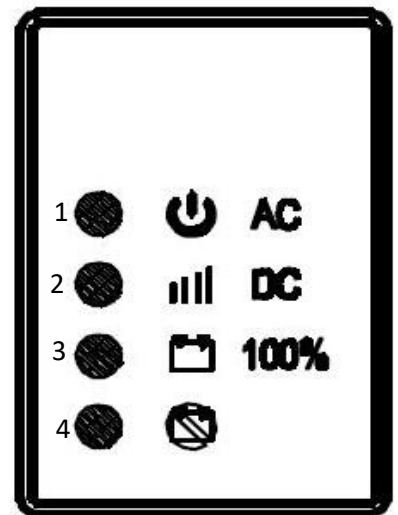
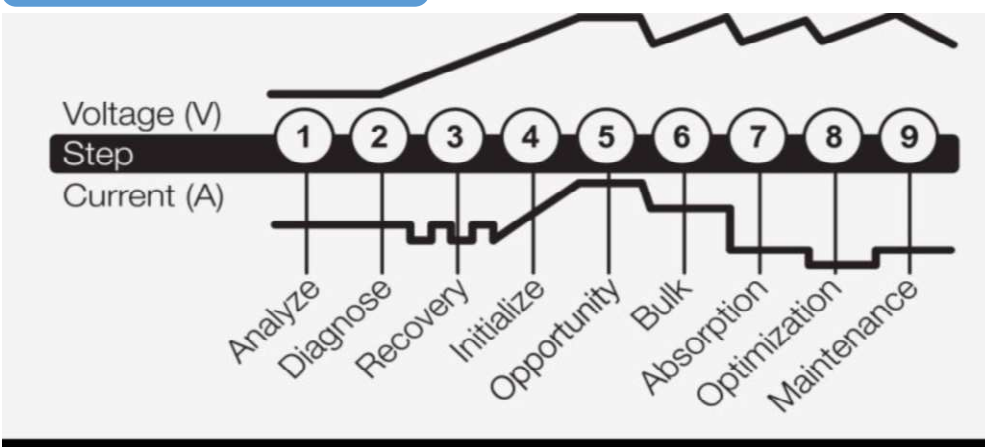
Compact, Universal

Well used for all kinds of utility vehicles.

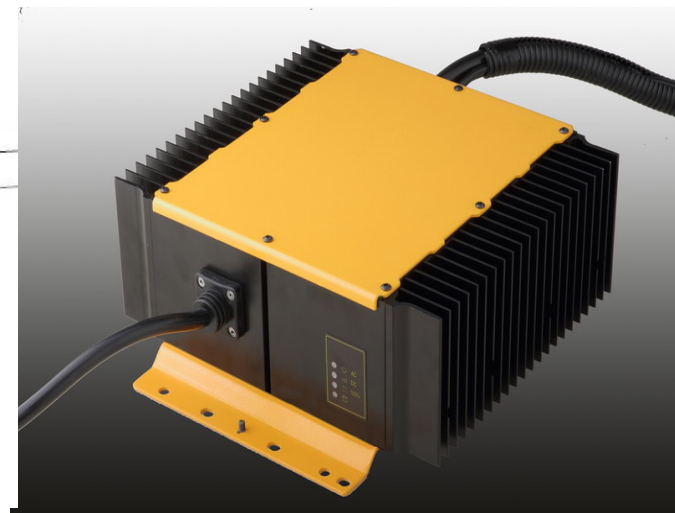
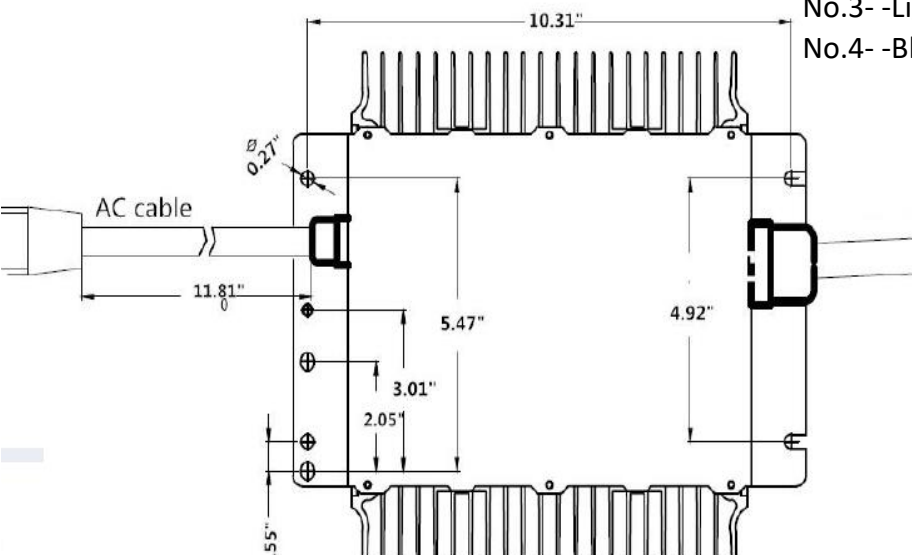
OvarTech QY Series 750 Industrial Battery Charger

Input Voltage	110Vac/230Vac	Dimension	10.9*9.5*4" (278*243*104mm)
Working Voltage	85-125Vac; 185-265Vac	Net Weight	11lbs (5Kg)
Max Power	1000W	AC input connector	IEC320 / C14 (requires country-specific cord)
Efficiency	95%	DC output connector	M6 threaded fasteners for ring terminals
Max Interlock Current	0.5A	Cooling	Natural and Air cooling
Battery Type	Lead-acid & Lithium-ion	Mounting holes	Allows for safe installation on shelf, wall or bulkhead
Battery Chemistries	Wet, Gel/AGM, Lithium-ion	Enclosure	IP66
Reverse Polarity	Electronic protection with auto-reset	Supported AC sources	Single phase
Short Circuit	Electronic Current limit	Nominal AC power factor	>0.99 @ 110 VAC >0.98 @ 230 VAC
Operating Temperature	-104°F to 149°F (-40°C~+65°C), Derated at >104°F (40°C)	Storage Temperature	-104°F to 185°F (-40°C~+85°C)

Charging Steps



- No.1- -Lighting Yellow with AC power
- No.2- -Lighting Green when charging with DC lamp
- No.3- -Lighting Green when fully charged with 100% lamps
- No.4- -Blink Red if any fault



Shenzhen Ovar Technology Co., Ltd

302 Building 5, Chuangwei Innovation Valley, Shiyan Town,
Shenzhen, Guangdong Province, China

www.ovartech.com
frank@ovartech.com