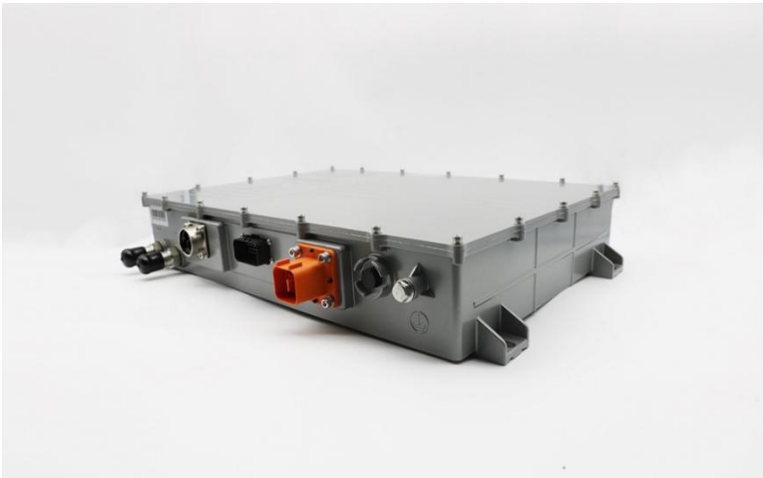


22KW EV ON-BOARD CHARGER

Features

- Universal AC input range
- Input/output protections
- Intelligent charging modes
- Customized CAN communication optional
- 250/500kbs communication rate optional
- UDS boot loader and diagnostic optional
- IP67 enclosure, liquid cooled



Main Specifications

Part Number		Input Voltage	Output Voltage	Output Current	Ripple & Noise (mVp-p)
CAD222DF-540A	OBC	152-456Vac 90-265Vac	200-720Vdc	0-36A (3 phase) 0-12A (1 phase)	≤±4%

Electrical Specifications

These specifications are valid over the converter's full ranges of input voltage output voltage and current, and operating temperature unless noted otherwise.

AC Input Specifications

Input Voltage single phase	90-265VAC
Input Voltage three phase	152-456VAC
Max input current three phase	34A
Max input current single phase	32A
Power Factor	0.99

DC Output Specifications

HV Output Voltage single phase	200-720VDC
HV Output Voltage three phase	200-720VDC
LV Output	14VDC 5A
Max charging current three phase	36A
Max charging current single phase	12A
Max charging power three phase	22KW
Max charging power single phase	6.6KW
Efficiency	95%

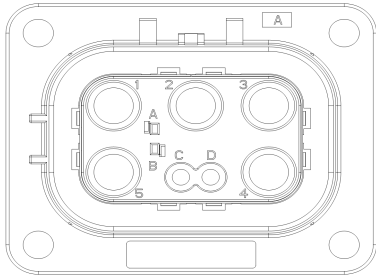
Mechanical Data/Cooling System

Housing material	Aluminum
Weight	25kg
Housing volume	12L
IP protection rate	IP 6K9K
Cooling	Liquid-cooled

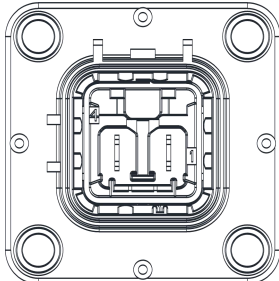
Safety

Input over voltage protection	Yes
Input under voltage protection	Yes
Output over voltage protection	Yes
Output under voltage protection	Yes
Output over current protection	Yes
Output short circuit protection	Yes

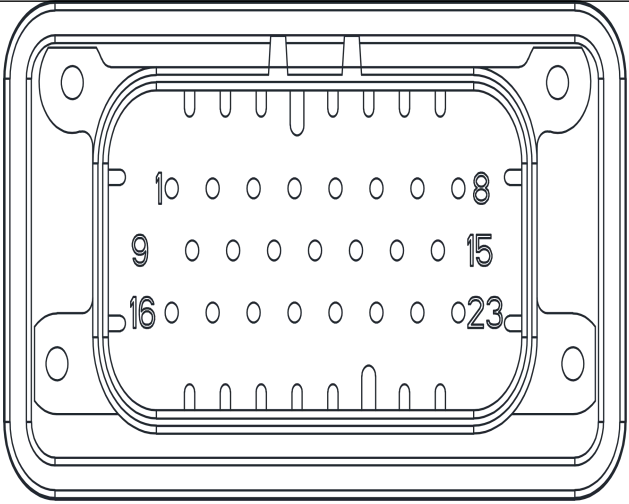
Input Connector Description

PIN NO.	Name	Model: BHL10-E401X-S6	Mating Connector: BHL18-E40X1-S6
		Supplier: BALE	
1	L1		
2	L2		
3	L3		
4	N		
5	PE		

High Voltage Output Connector Description

PIN NO.	Name	Model: 1-2141272-1	Mating Connector: 5-1418758-3
		Supplier: TE	
1	Out +		
2	Out -		
3	HVIL		
4	HVIL		

Signal Connector Description

PIN NO.	Name	Model: 1-776228-1	Mating Connector: 1-770520-1
		Supplier: TE	
4	KL15		
5	CP		
6	PP		
7	KL30		
9	BMS wake-up signal		
10	LED		
11	HVIL 1		
12	HVIL 2		
13-15	GND (KL31)		
19	CAN GND		
20, 22	CAN L		
21, 23	CAN H		
Others	N/A		

Mechanical Parameters (unit: mm)

